

## AC/DC Signal Isolation Transmitter



### Features:

- >>Accuracy/linearity error grade:0.5
- >>Input:0-1Vrms AC current (50~60Hz)
- >>Power supply:5V/12V/15V/24VDC
- >>International standard output signal: 0-10mA /4-20mA/0-5V/0-10V
- >>Low cost,small size,SIP12 UL94V-0 package
- >>Temperature Range: - 45 ~ + 85 °C

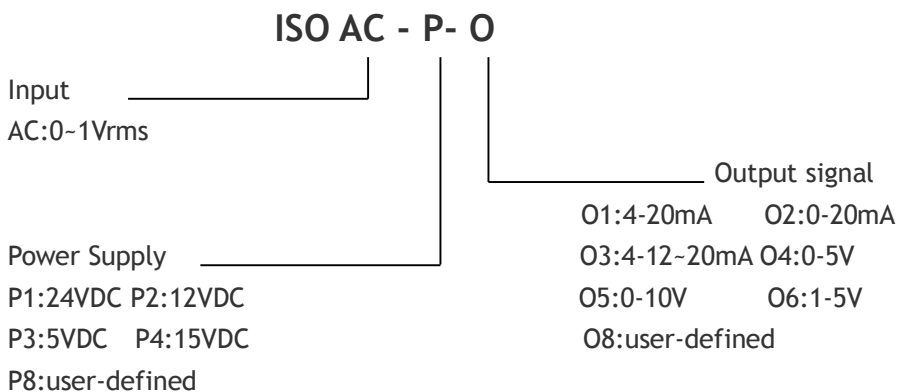
### Applications:

- >>AC signal acquisition and transformation
- >>High-precision monitoring used for power transmission and distribution
- >>AC small-signal amplification and conversion
- >>sensor AC signal converter to standard DC Signal
- >> No distortion in long distance signal transmission
- >>can be connected to an external transformer to compose single-phase or multiphase transmitter

### Specification:

SunYuan ISO series AC-DC signal transmitter IC, is a hybrid integrated circuit that convert the AC signal acquisition corresponds to a linear DC signal. This circuit integrates a group of multi-channel high-isolation DC / DC power supplies and a group of AC / DC signal converter circuit on the same chip.Sensors can be collected from the 0-1Vrms (50 ~ 60HZ) AC signal proportional to convert 4-20mA/0-10mA / 0-20mA DC current signal or 0-1V/0-2.5V/0-5V/0- 10V DC voltage signal. An external transformer can be formed after the single-phase or multiphase transmitter isolation between the input and output signal isolation. Remote monitoring and control products in the electrical, instrumentation, medical equipment, widely used in the fields of industrial automation.

### Part number and description:



**Example:**

1. Signal input:0-1Vrms,power supply:24VDC output:4-20ma part No.:ISO AC-P1-O1
2. Signal input:0-1Vrms,power supply:12VDC,output:0-10V part No.:ISO AC-P2-O5

**Max operation range:**

voltage signal output, load(MIN)	2KΩ
Power supply range:	±10%Vin
Jointing temperature(10sec.)	+300℃

**General parameters:**

Accuracy:0.5 Grade

Power loss:voltage output tyep:0.2W(TYP) 0.5W (MAX)

Current output type: 0.5W(TYP) 0.75W (MAX)

Operating temperature: -45 ~ +85℃

Opetating humidity: 10 ~ 90%

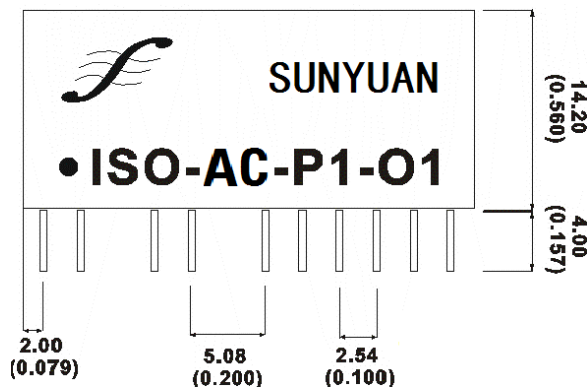
Storage temperature: -55 ~ +125℃

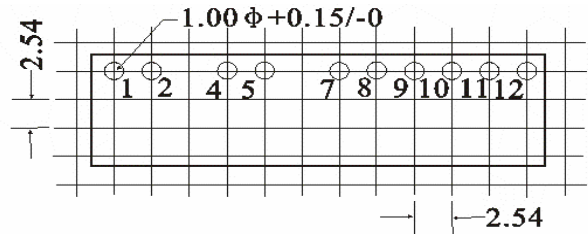
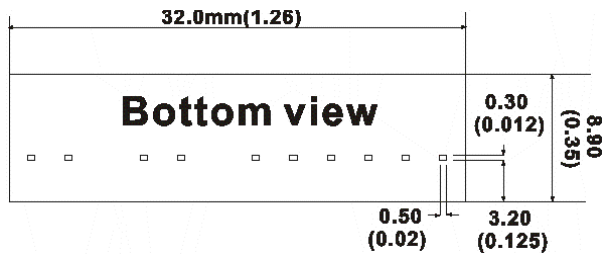
Storage humidity: 10 ~ 95%

**Application parameter:**

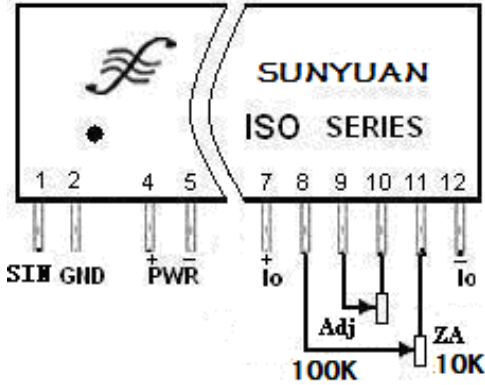
Input item	Input impedance	Input over load
0~1Vrms	≥500KΩ	2.0 times of rated:Continuous

Output item	Input over load	Response time
4-20mA	≤350Ω (If need others,such as 650 ohm,pls note)	≤400mS
0-20mA		
4-12-20mA		
0-5V	> 2Kohm	
0-10V		
1-5V		

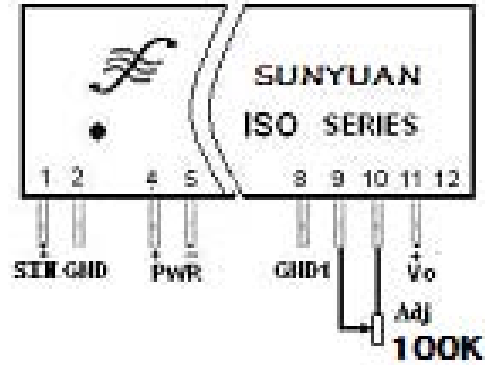
**Physical Dimensions and Footprint Description:**




Current signal output



Voltage signal output



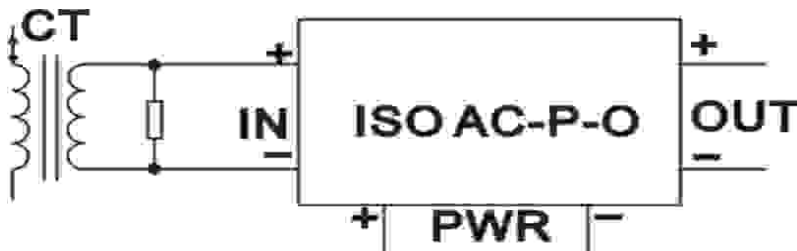
(1) Current output pin description: SIP 12

1	2	3	4	5	6	7	8	9	10	11	12
Vin+	GND	NO PIN	PW+	PW-	NO PIN	Io+	ZA	Adj	Adj	ZA	Io-

(2) Voltage output pin description :SIP 12

1	2	3	4	5	6	7	8	9	10	11	12
Vin+	GND	NO PIN	PW+	PW-	NO PIN	NO PIN	GND1	Adj	Adj	Vo+	NO PIN

Application:



SIP12 PCB Mounted Package



DIN35 Rail Mounted Package

