

4-20mA loop signal low price 1-input&2-output isolated distributor

Single input dual output 4-20mA current signal isolation distributor: DIN 1X2 ISOD series

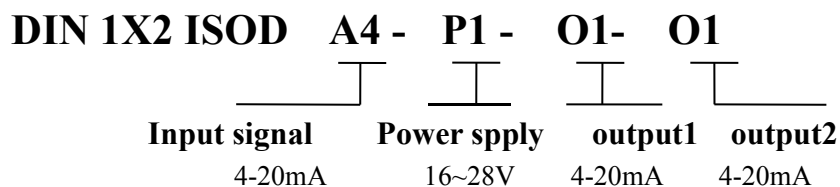
Features	Typical application
<ul style="list-style-type: none"> ●Special use one 4-20mA input, two 4-20mA output isolation and distribution technology ●Adopt Low cost solution of two channels output of the same specifications 4-20mA signals ● Product accuracy level: 0.1 level, 0.2 level, 0.5 level ●Non-linearity in full range<0.2% , no need for zero and gain adjustment ●3000VDC four isolation between signal input / output 1 / output 2 / auxiliary power ●Auxiliary power: 16 ~ 28VDC single power wide range power supply ●Industrial temperature range: -40 ~ + 85 °C ●The product has been checked and calibrated before leaving the factory, and users can use it directly without adjustment. 	<ul style="list-style-type: none"> ●The display monitoring and transmission of Sensor signal ●Signal isolation in industrial scene,conversion amplification,long-line transmission. ●Ground wire interference suppression for 4-20mA loop signal 1-input&2-output. ●Ground signal interference suppression and data isolation and acquisition of analog signals ●Power monitoring, medical equipment isolation monitoring safety barrier ●Instrumentation and sensor signal multiplexing detection ●Process control system 4-20mA signal isolation and transmission ●Simultaneous monitoring and transmission of analog and digital signals in industrial field

Overview

SunYuan DIN 1X2 ISOD series 4-20mA signal 1-input&2-output isolation distributor is an analog 4-20mA current loop signal that outputs industrial field instruments and sensors, PLC / DCS, etc., It is divided into two standard 4-20mA signal distribution modules with precision, linearity and impedance matching after isolation. The internal module integrates the analog signal isolation amplifier circuit of two high isolation,Adopt low cost solution for magnetolectric coupling, It is mainly used where no special requirements of EMC (electromagnetic interference). The input and output of the product and the wide creepage distance between the channels and internal isolation measures make the module meet the 3000VDC four isolation between signal input / output 1 / output 2 and auxiliary power.

DIN 1X2 ISOD series 4-20mA signal 1-input&2-output isolation distributor is very convenient to use, no need for zero and gain adjustment.Product adopts standard DIN 35 rail-mounted card slot packaging way. It can realize the isolation, distribution, and amplification of 4-20mA current signals such as various sensors, instruments, and PLCs in the industrial field.And can meet the requirements of industrial-grade wide temperature, humidity, vibration and other harsh working environments.

型号及定义



General parameters

Precision ----- 0.1% , 0.2% , 0.5%	Isolation ----- Signal input / output 1 / output 2 / auxiliary power
Auxiliary power----- DC5V、12V、24V, ±10%	Insulation resistance ----- ≥20MΩ
Working temperature----- -40 ~ +85°C	Withstand voltage ----- Signal input / output 1 / output 2 / auxiliary power ,3000VDC, 1 minute, leakage current 1mA
Working humidity----- 10 ~ 90% (Non-condensing)	
storage temperature----- -55 ~ +108°C	Withstand voltage----- 3KV, 1.2/50us(peak)
Storage humidity----- 10 ~ 95% (Non-condensing)	

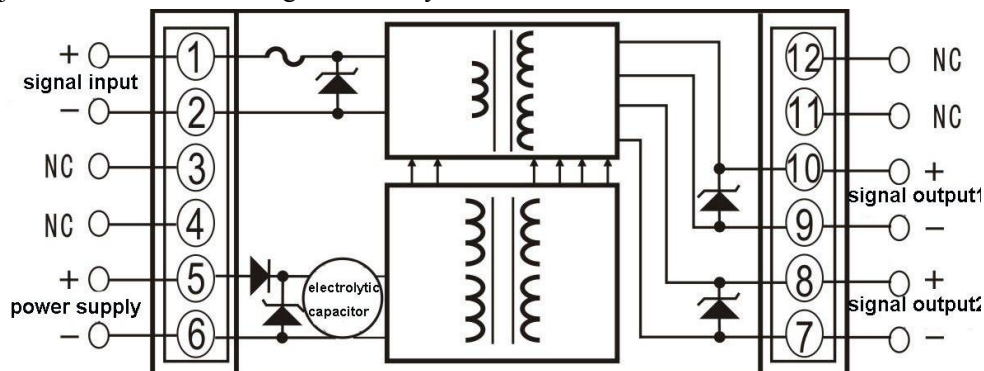
Technical Parameters

parameter name		Test Conditions	Min	Typic value	Max	Unit
Isolation voltage		AC,50Hz,1min		3000		VDC
Gain				1		mA/mA
Gain temperature drift				50		ppm/°C
Non-linearity				0.1	0.2	%FSR
Signal input			3		25	mA
input resistance	Current			50		Ω
Signal output			3		25	mA
load capacity	Current	Iout=20mA	0	350	400	Ω
Frequency response				1		KHz
Signal output ripple		No filtering		10	20	mVRMS
Auxiliary power	Voltage	Custom	16	24	28	VDC
	Power consumption			1	1.5	W
Working temperature			-40		85	°C
Storage temperature			-55		105	°C

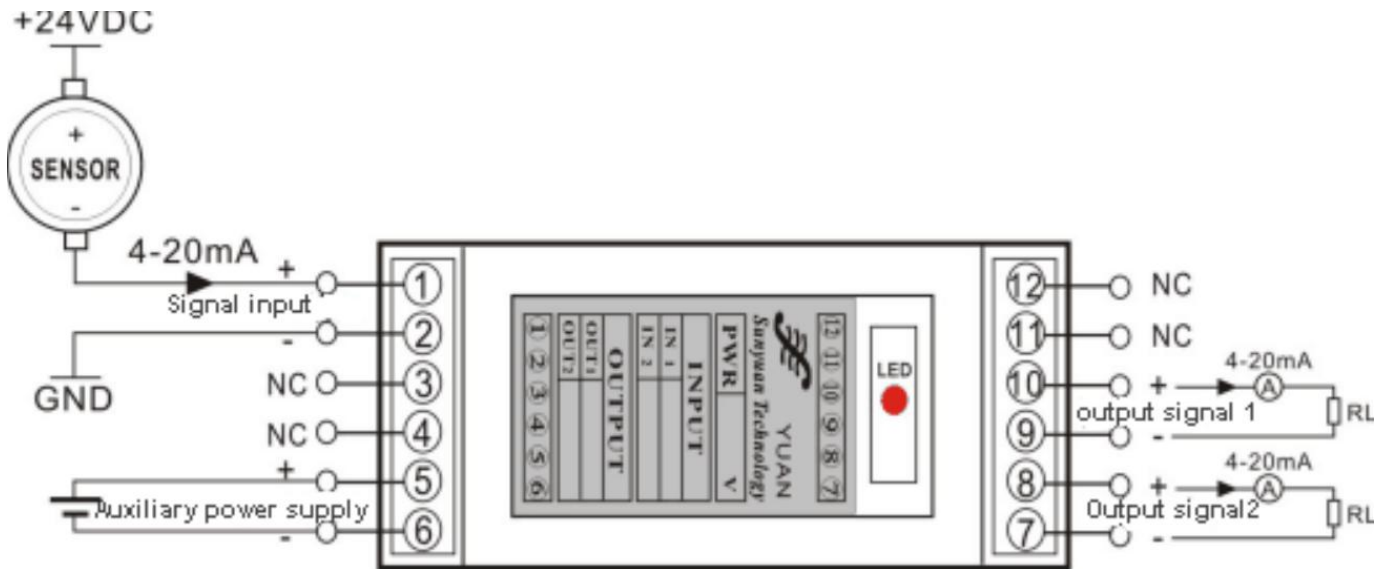
Remarks: Please specify when ordering if there are special requirements for product load capacity

typical application

DIN 1X2 ISOD series 4-20mA signal 1-input&2-output isolation distributor, The circuit uses a low cost solution of magnetolectric coupling.Integrated inside two sets of highly isolated analog signal isolation amplifiers, PCB board , no need to adjust and correct zero and gain accuracy.

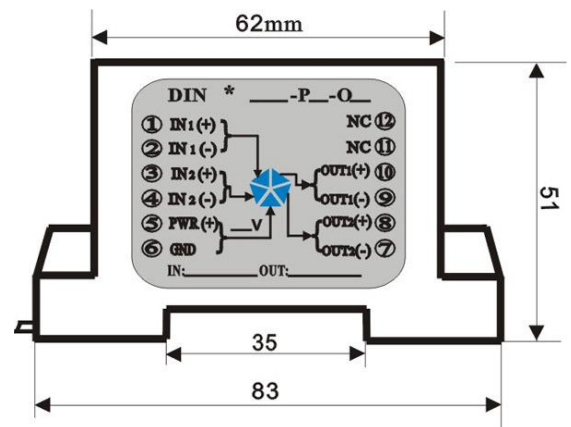
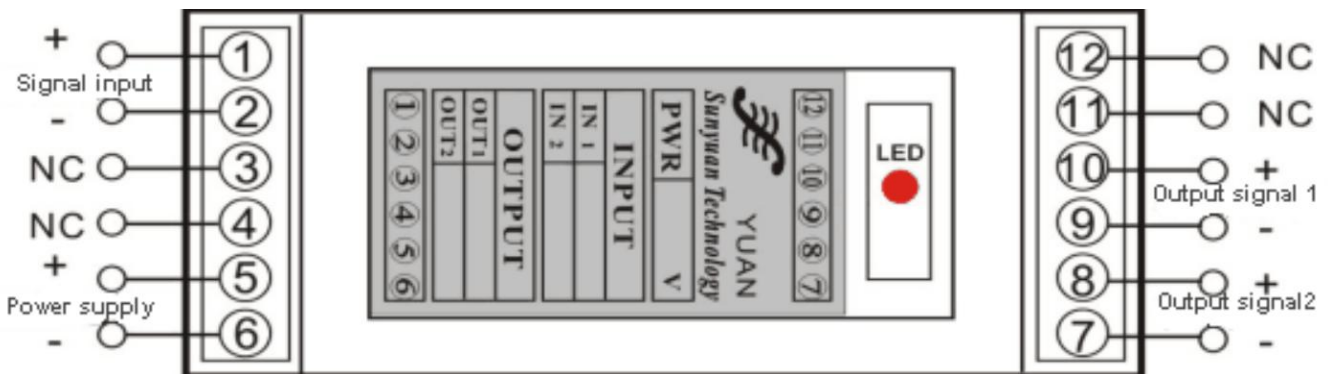


4-20mA current loop 1-input&2-output technology principle block diagram



DIN 1X2 ISOD Typical application diagram of 1-input&2-output products

Appearance size and pin function description (product brand model and external wiring diagram printed on the case)



Pin	Pin function	
1	Signal in+	Positive terminal of input signal
2	Signal in -	negative terminal of Input signal
3	NC	Empty feet
4	NC	Empty feet
5	Power in	Auxiliary power positive terminal
6	Power GND	Auxiliary power negative terminal
7	Out2 -	Output signal 2 negative terminal
8	Out2+	Output signal 2 positive terminal
9	Out1 -	Output signal 1 negative terminal
10	Out1+	Output signal 1 positive terminal
11	NC	Empty feet
12	NC	Empty feet

