

Sensor Two wire loop isolated dc converter BHK series 1000V isolation voltage micropower SIP7
Input Voltage:

5, 12, 24 VDC

Output voltage

3.3, 5, 9 VDC

Other apecification, please consult with us


Electric characteristic:

All specifications measured at TA=25°C, humidity <75%, nominal input voltage and rated output load unless otherwise specified.

Input Feature:

Voltage range:

+/- 10 %

Filtering

Ceramic capacitor

Isolation Feature:

Isolation voltage

1000 VDC

Leakage current

1 mA

Resistance

109 Ohm

Capacitor

60 pF type.

Output Specifications:

Voltage Accuracy:

+/- 5 %, max.

Ripple and noise (at 20 MHz BW)

50 mV p-p, max.

Short circuit protection

immediately (<1s)

Line Regulation

+/- 1,2 % / 1,0 % of Vin

Load regulation

+/- 5 %, load = 20 ~ 100 %

Temperature coefficient

+/- 0,02 % / °C

General Specifications:

Efficiency

60 % to 85 %

Switching frequency

100 KHz, type.

Environmental Specifications

Operating temperature (ambient)

- 40° C to + 85° C

Storage temperature

- 55 °C to + 125 °C

Derating

see below temperature coefficient graph

Humidity

≤ 90 %, non condensing

Cooling

Free air convection

Weight

2 g~3 g

SIP Package dimension

19,60 x 6,00 x 10,00 mm

0,77 x 0,23 x 0,39 inch

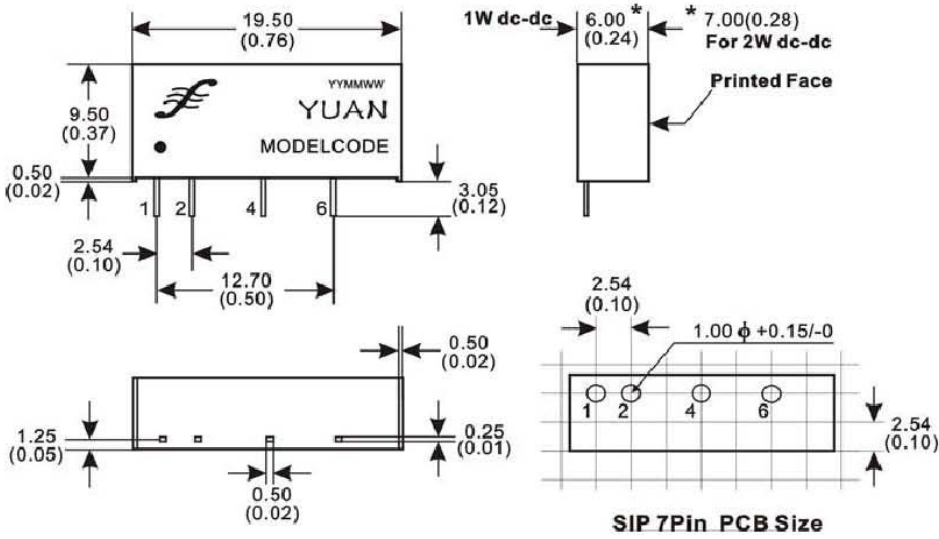
Case Material

UL94-Vo plastic

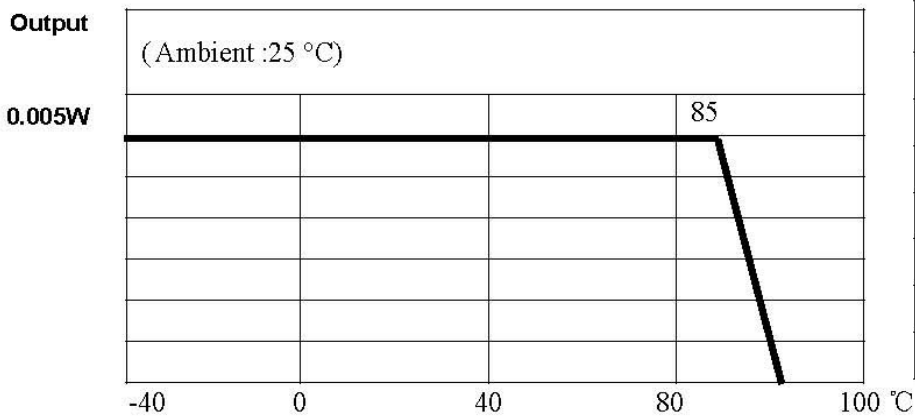
Product Models:

Part No.	Vin(VDC)	Input current No-load(mA)	Input current Full load(mA)	Vout(VDC)	Iout(max.mA)	Full-load efficiency(%TYPE)
B0503HK	5	0.35	4	3.3	4	66
B0505HK	5	0.35	4	5	2.8	70
B1205HK	12	0.30	4	5	7	70
B2405HK	24	0.25	4	5	13.5	70

Dimension:



Temperature characteristic curve and Pin description:



Pin	Function discription		
1	+	Vin	Input +
2	-	Vin	Input -
3			NC
4	-	Vout	Output-
5			NC
6	+	Vout	Ouput+
7			NC

Application:

