

- **PART NO.: WRHxxxxH-0.1~2W**
- **OUTPUT WITH 8KV ANTI-STATIC PROTECTION**
- **SIP7 PACKAGE STYLE**
- **SINGLE OUTPUT**
- **6000VAC HIGH ISOLATION**
- **REGULATED OUTPUT VOLTAGE**
- **PCB MOUNTING**
- **SPECIAL FOR POWER METERS**



ELECTRICAL SPECIFICATIONS

(All specifications tested typically @ 25°C, humidity<75%, nominal input and rated output unless otherwise noted.)

OUTPUT SPECIFICATIONS

Items:	Testing condition	Min	Typ	Max
Output accuracy:	At full load and nominal Vin			±2%
Static grade	≥8000V			
Line regulation:	Input voltage from low to full load	+/- 0.5 % (max), 3.3V output +/-1.0 %		
Load regulation:	No load to full load		0.5%	+/-1%
Ripple and noise:	20MHz bandwidth			50mVp-p
Temperature drift:				±0.02 %/°C
Switching frequency			80K HZ	
Short circuit protection	> 30s, restart automatic			

INPUT SPECIFICATIONS

Items:	Testing condition	Min	Typ	Max
Input voltage range	±5%			
Filter	Ceramic Capacitors			

COMMON SPECIFICATIONS

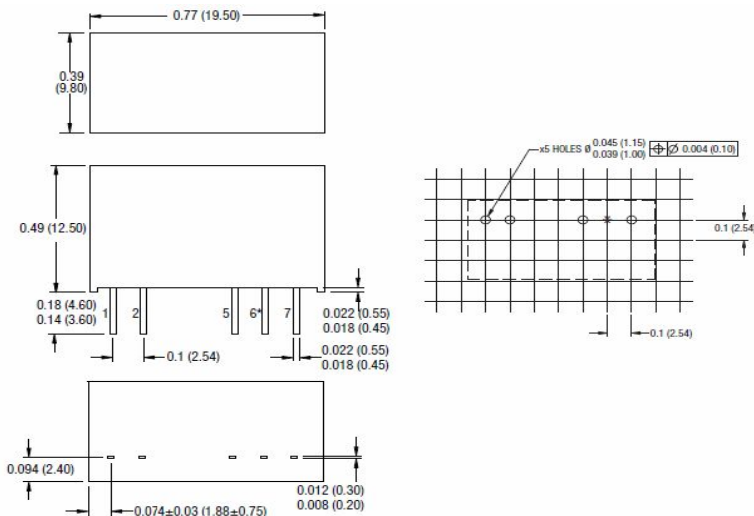
Items		Min	Typ.	Max
Operating temperature range		-40°C		+85°C
Storage temperature range		-55°C		+125°C
Humidity				<90%
Cooling	Free Air Convection			
Isolation voltage (VAC)	Input to Output		6,000	
Isolation resistance (ohms)			10 ⁹	
Isolation capacitance (pF)			60	
Efficiency (%)	See Product List	60		80
Case material	Non-conductive black plastic			

Potting material	Epoxy Resin UL94-V0
Packing material	Tube
Dimension (mm)	19.50 x 9.8 x 12,50 mm
Weight (g)	4~6
MTBF (Hrs)	>1,000,000

PRODUCT LIST

Part Number	Input Signal			Output Signal		Efficiency (%. Typ.)	Package
	Range(VDC)	No-Load Current(mA)	Full-Load current(mA)	Vout (VDC)	Iout (max.mA)		
WRH0505H-W5	4.75~5.25	9	140	5	100	73	SIP
WRH0505H-1W	4.75~5.25	18	263	5	200	76	SIP
WRH0505H-2W	4.75~5.25	32	520	5	400	76	SIP
WRH0512H-1W	4.75~5.25	18	258	12	84	78	SIP
WRH0512H-2W	4.75~5.25	30	456	12	150	79	SIP
WRH1212H-1W	11.4~13.2	8	106	12	84	79	SIP
WRH1212H-2W	11.4~13.2	16	211	12	150	80	SIP

FOOTPRINT



Pin	Function
1	+Vin
2	-Vin
3	NC
4	NC
5	-Vout
6	NC
7	+Vout

TEMPERATURE DERATING GRAPH

