

ISO9001:2008

- RATED 1W OUTPUT
- HIGH POWER DENSITY
- 7PIN SIP /14PIN DIP PACKAGE
- SINGLE OUTPUT
- INDUSTRIAL STANDARD PIN-OUT
- NO HEAT SINK REQUIRED
- 3K VDC ISOLATION
- FIXED INPUT, UNREGULATED OUTPUT
- 1W-2W POWER
- PCB MOUNTED TYPE



ELECTRICAL SPECIFICATIONS

All specifications tested typically @ 25°C, humidity<75%, nominal input and rated output unless otherwise noted.

OUTPUT SPECIFICATIONS

Items:	Testing condition	Min	Typ	Max
Output accuracy:	At full load and nominal Vin			±5%
Output power:				1W
Line regulation:	For Vin change of 1%			1.2
Load regulation:	From 20% to full load		10%	15%
Ripple and noise:	20MHz bandwidth			150 mV p-p
Temperature drift:				±0.02 %/°C
Switching frequency			100KHz	
Short circuit protection			Momentary	

INPUT SPECIFICATIONS

Items	Testing condition	Min	Typ	Max
	5 VDC nominal input		4.5-5.5	
	9 VDC nominal input		8.1-9.9	
	12VDC nominal input		10.8-13.2	
	15 VDC nominal input		13.5-16.5	
	24VDC nominal input		21.6-26.4	

COMMON SPECIFICATIONS

Items		Min	Typ.	Max
Operating temperature range		-40°C		+65°C
Storage temperature range		-55°C		+125°C
Humidity				<75%
Cooling	Free Air Convection			
Isolation voltage (VDC)	Input to Output		4,000	
Isolation resistance (ohms)			10 ⁹	
Isolation capacitance (pF)				30
Efficiency (%)	See Product List	72	80	
Case material	Non-conductive black plastic			
Potting material	Epoxy Resin UL94-V0			

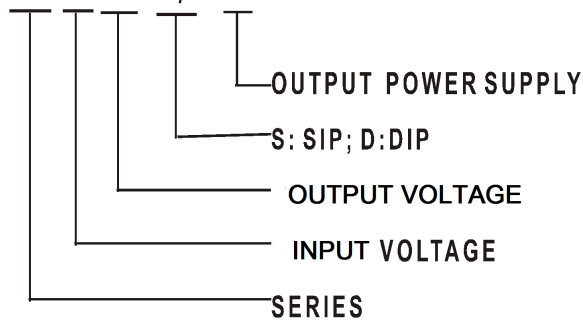
Packing material	Tube
Dimension (mm / inch) (L*W*H)	SIP: 19.6*6.00*10.0 mm 19.6*7.00*10.0 mm DIP: 20.4*10.00*8.2mm
Weight (g)	2
MTBF (Hrs)	>1,000,000

TYPICAL PRODUCT LIST

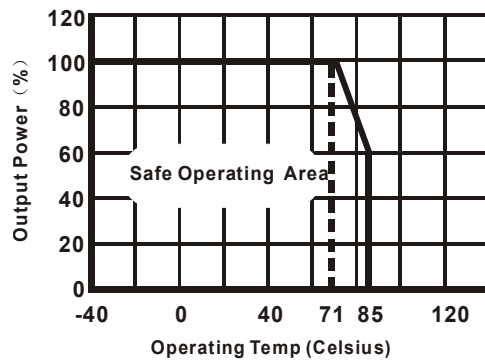
Part Number	Input			Output		Efficiency (%, Typ.)	Package
	Voltage (VDC)	Current No Load	Current Full Load	Voltage (VDC)	Current (Max. Ma)		
F0503S/D-1W	5	14	363	3.3	303	72	SIP/DIP
F0505S/D-1W	5	26	266	5	200	75	SIP/DIP
F0512S/D-1W	5	18	254	12	84	70	SIP/DIP
F1205S/D-1W	12	11	119	5	200	70	SIP/DIP
F1212S/D-1W	12	10	104	12	84	80	SIP/DIP
F1215S/D-1W	12	15	107	15	68	78	SIP/DIP
F2405S/D-1W	24	5	55	5	200	75	SIP/DIP
F2412S/D-1W	24	7	54	12	84	77	SIP/DIP
F2415S/D-1W	24	8	55	15	76	76	SIP/DIP

MODEL SELECTION

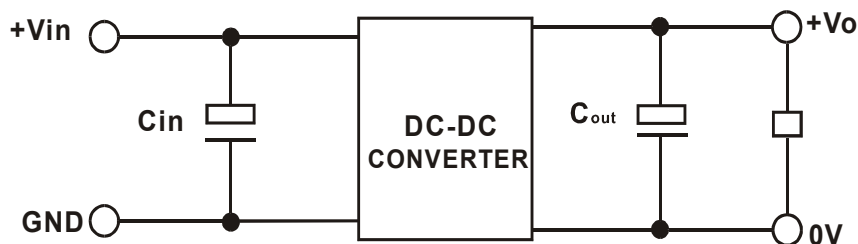
F 05 05 S/D-1W



TEMPERATURE DERATING GRAPH

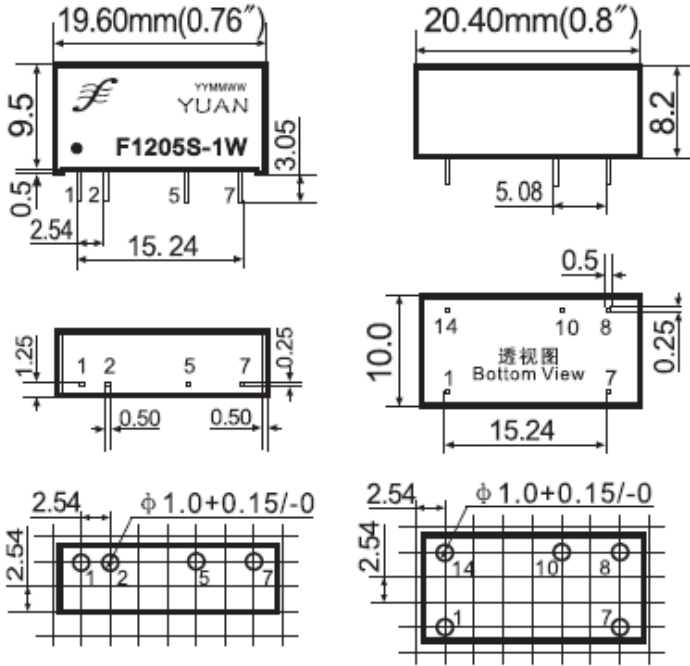


TYPICAL CONNECTION



OUTLINE DIMENSION

PIN DESCRIPTION



SIP Package	Functions		DIP Package
1	+Vin	Input	14
2	GND	Input	1
5	0V	Common	10
7	+Vo	Output	8

SIP 1W:19.6 x 6.0 x 10.0 mm
2W:19.6 x 7.0 x 10.0 mm

DIP 1W:20.4 x 10.0 x 8.2 mm
2W:20.4 x 10.0 x 8.2 mm